

PRODUCT INFORMATION PACKET

Model No: 048A11O1047
Catalog No: X474
1/4,1075,OPEN,48Y,1/60/230
Direct Drive



Regal and Marathon are trademarks of Regal Beloit Corporation or one of its affiliated companies.
©2018 Regal Beloit Corporation, All Rights Reserved. MC017097E



Nameplate Specifications

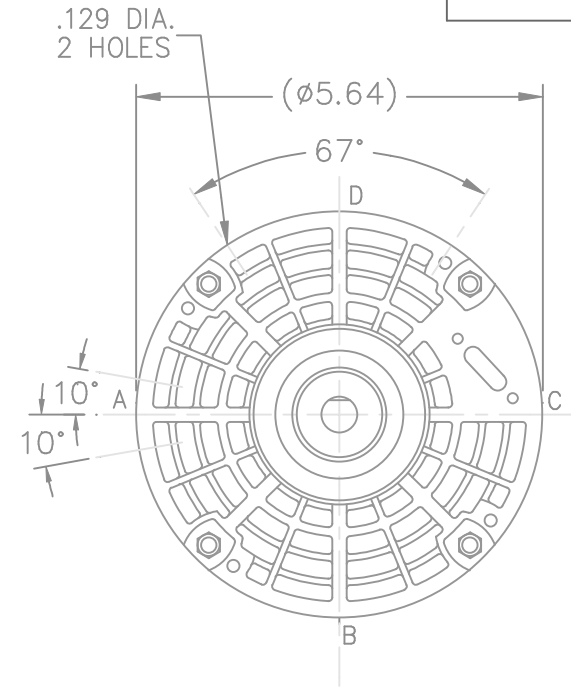
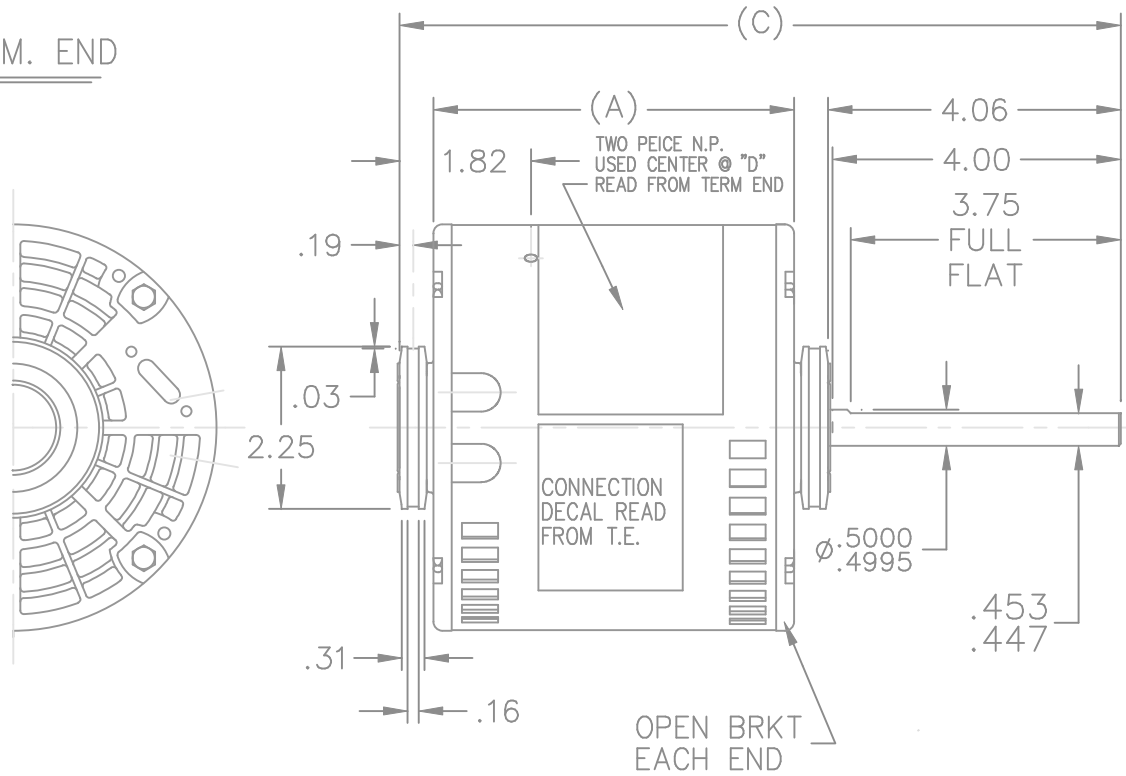
Output HP	0.25 Hp	Output KW	0.19 kW
Frequency	60 Hz	Voltage	230 V
Current	2.0 A	Speed	1075 rpm
Service Factor	1	Phase	1
Efficiency	52.5 %	Duty	Continuous
Insulation Class	B	Design Code	NO DESIGN CODE
KVA Code	C	Frame	48Y
Enclosure	Open Air Over	Overload Protector	Auto Lock Rotor Only
Ambient Temperature	40 °C	Drive End Bearing Size	6203
Opp Drive End Bearing Size	6203	UL	Recognized
CSA	Y	CE	N
IP Code	10		

Technical Specifications

Electrical Type	Permanent Split Capacitor	Starting Method	Across The Line
Poles	6	Rotation	Selective Counterclockwise
Mounting	Resilient Rings	Motor Orientation	Horizontal
Drive End Bearing	Ball	Opp Drive End Bearing	Ball
Frame Material	Rolled Steel	Shaft Type	Single Special Extension
Overall Length	9.25 in	Frame Length	3.75 in
Shaft Diameter	0.500 in	Shaft Extension	4.06 in
Assembly/Box Mounting	F1 Only		
Outline Drawing	A-SS403800-375	Connection Diagram	6906496

This is an uncontrolled document once printed or downloaded and is subject to change without notice. Date Created: 06/29/2018

TERM. END



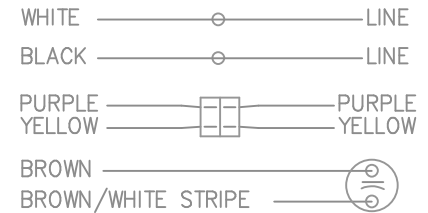
LEAD DESCRIPTION:

1 BLACK AND 1 WHITE LEAD WITH .50 BARE WIRE STRIP. 36.00 TO 39.00 LONG.

2 BROWN LEADS WITH .25 FLAG-TYPE QUICK CONNECTS 36.00 TO 39.00 LONG. WHITE MARKED LEAD IS COMMON TO WHITE.

REVERSING LEADS ARE MOLDED INTO MATING PULL APART PLUGS. 1 YELLOW & 1 PURPLE LEAD PER PLUG. 4.00 TO 6.00 LONG

CW ROTATION - SHAFT END SHOWN TO REVERSE, CONNECT PURPLE TO YELLOW, AND YELLOW TO PURPLE.



DASH	FR.	C	A
350	48Y	9.00	4.00
375	48Y	9.25	4.25

TOLERANCES UNLESS SPECIFIED

DEC.	INCHES
.X	±.1
.XX	±.03
.XXX	±.005
.XXXX	±.0005
ANG	±7'30"



TITLE OUTLINE

MAT'L.

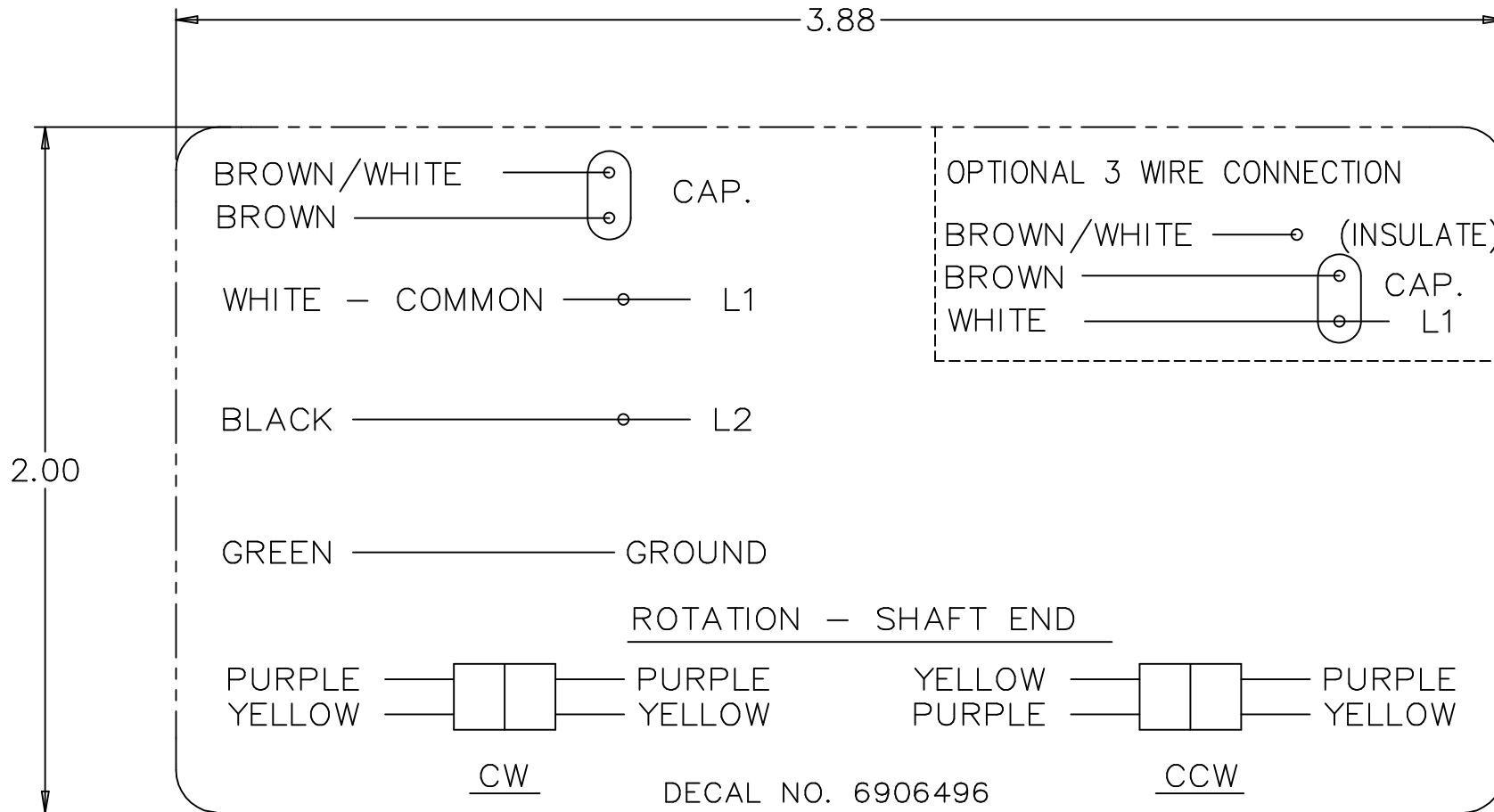
FINISH

DRAWN	SP 01-07-2009
CHK	NB 01-07-2009
APPD	SP 01-07-2009
SCALE	3=8
REF	SS73918
FMF	07-2426
PREV	

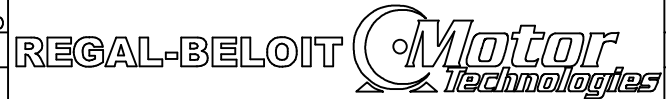
NO.	REVISION	BY & DATE	CHK

THIS DRAWING IN DESIGN AND DETAIL IS OUR PROPERTY AND MUST NOT BE USED EXCEPT IN CONNECTION WITH OUR WORK ALL RIGHTS OF DESIGN AND INVENTION ARE RESERVED THIS IS AN ELECTRONICALLY GENERATED DOCUMENT - DO NOT SCALE THIS PRINT

RFP	01-07-2009	CAD FILE	SS403800	SIZE	DRAWING NO.	PAGE	OF	REV.
DIST	WP			A	SS403800			



NO.	REVISION	BY & DATE	CHK	TOLERANCES UNLESS SPECIFIED		FINISH	DRAWING NO.	PAGE	OF	REV.
				DEC.	INCHES					
4	ADDED DIM. TO DECAL	RDH 09/22/2003	ML	.X	±.1					
3	REMOVED 'MARATHON ELECTRIC' CN 35106	DRS 05-01-2002	TOM	.XX	±.02					
2	PART NAME WAS CONNECTION DIAGRAM CN 25669	MRB 04-23-1998		.XXX	±.005					
1	NEW DRAWING CN 25669	MRB 04-22-1998		.XXXX	±.0005					
				ANG	±7'30"					
THIS DRAWING IN DESIGN AND DETAIL IS OUR PROPERTY AND MUST NOT BE USED EXCEPT IN CONNECTION WITH OUR WORK ALL RIGHTS OF DESIGN AND INVENTION ARE RESERVED THIS IS AN ELECTRONICALLY GENERATED DOCUMENT - DO NOT SCALE THIS PRINT						RFP	CAD FILE 6906496		SIZE	
						DIST WP	A	6906496		4



DRAWN	MRB 04-16-1998
CHK	ML 04-22-1998
APPD	GK 04-22-1998
SCALE	1=1
REF	
FMF	
PREV	

